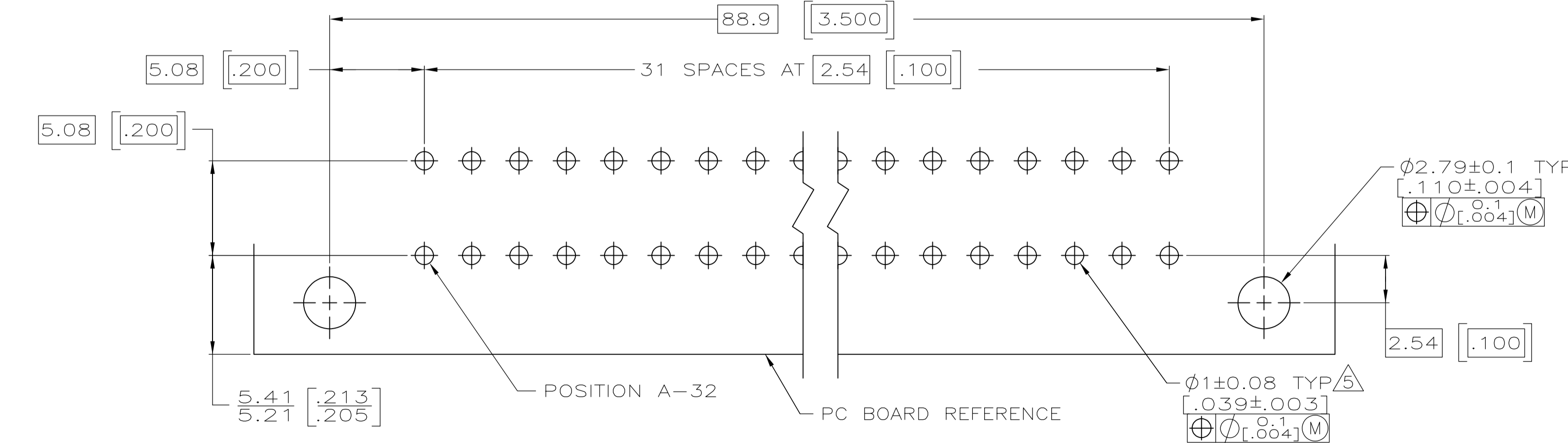
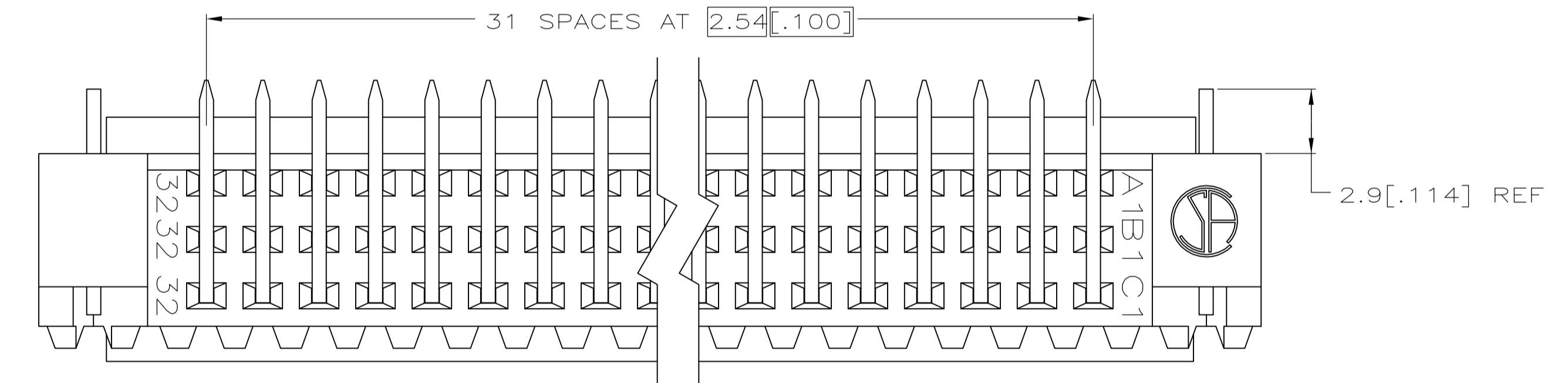
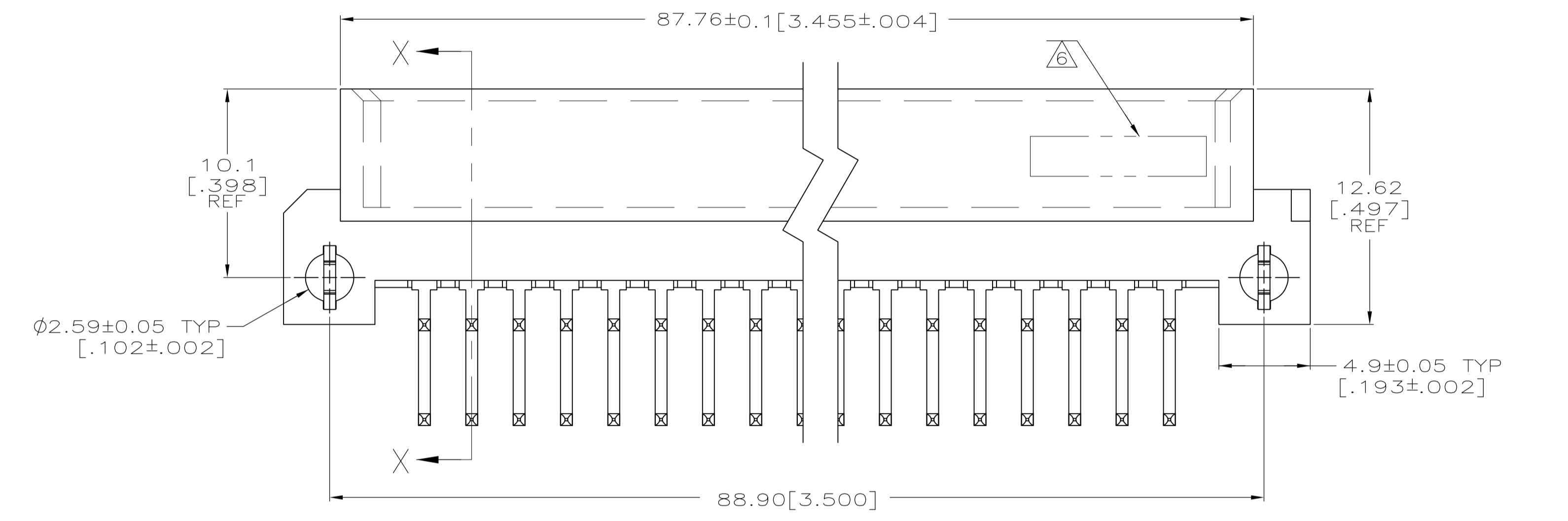
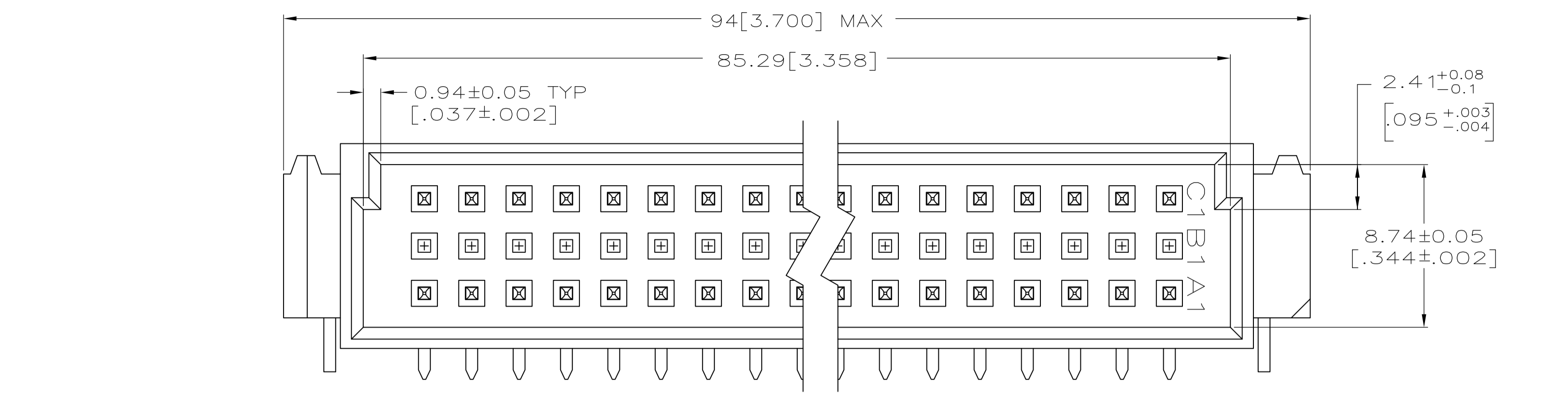
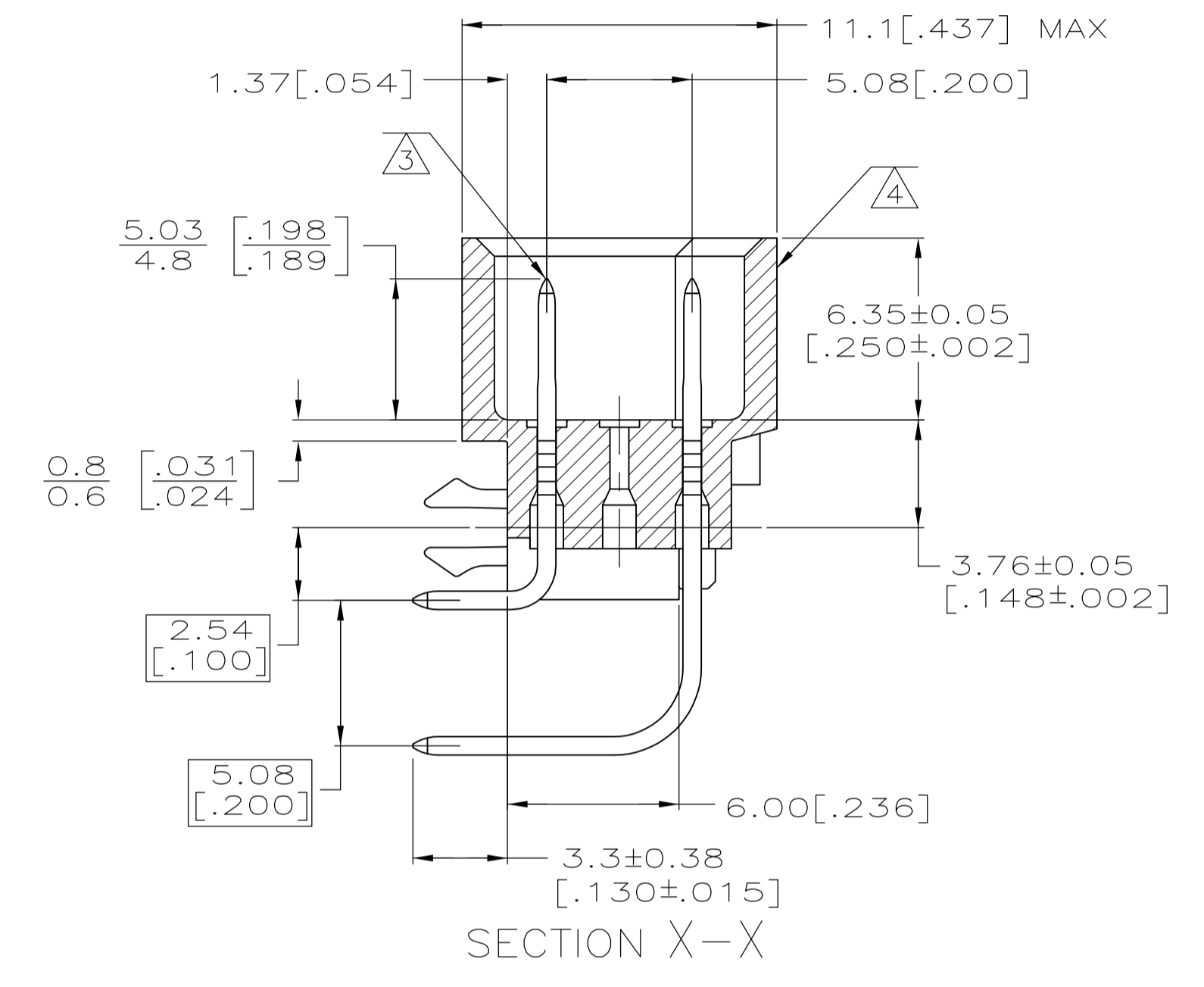


LOC		DIST		REVISIONS				
P	LTR	DATE	DMN	APVD	DESCRIPTION			
AD	25	01			REVISED PER ECO-07-018157	21AUG07	DH	DB



PC BOARD LAYOUT  
 RECOMMENDED PC BOARD THICKNESS 1.57[.062]

- 1 HOUSING MATERIAL: GLASS-FILLED POLYMER.
- 2 POST MATERIAL: COPPER ALLOY.
- 3 POST FINISH: DIN 41612 CLASS 2 IN CONTACT AREA. TIN PLATE ON POSTS.
- 4 MARKING ON THIS SIDE.
- 5 RECOMMENDED HOLE SIZE FOR MANUAL APPLICATION OF CONNECTOR ONTO PC BOARD.
- 6 [PART NUMBER, DATE CODE] MARKED THIS APPROXIMATE AREA.



1-32	X	-	X	64	5536406-5
POSITIONS LOADED	C	B	A	NO. OF LOADED POSITION	ASSY PART NUMBER

THIS DRAWING IS A CONTROLLED DOCUMENT.		DIN J. POLIGNONE	OSMAYOS	Tyco Electronics Corporation Harrisburg, PA 17105-3608	
DIMENSIONS: mm [INCHES]		OSMAYOS	OSMAYOS	NAME ASSEMBLY, PIN, EUROCARD, TYPE C, A and C, 64/96 POSITION, 3.30[.130] SOLDER POST, WITH BOARD-LOCKS	
TOLERANCES UNLESS OTHERWISE SPECIFIED:		OSMAYOS	OSMAYOS	PRODUCT SPEC	
0 PLC	± -	APPLICATION SPEC		SIZE	
1 PLC	± -	APPLICATION SPEC		CAGE CODE	
2 PLC	± 0.13[.005]	APPLICATION SPEC		DRAWING NO	
3 PLC	± -	APPLICATION SPEC		RESTRICTED TO	
4 PLC	± -	APPLICATION SPEC		WEIGHT	
ANGLES	± -	APPLICATION SPEC		SCALE	
MATERIAL		FINISH		CUSTOMER DRAWING	
				SCALE 5:1 SHEET 1 OF 1 REV 01	